

RTS Automatic Transfer Switch

100 - 400 Amps



100 – 400 Amp RTS NEMA 3R



100 – 400 Amp RTS NEMA 3R
with Service Disconnect

DESCRIPTION

Generac RTS automatic transfer switches are designed to operate with the Generac R-Series control used on air cooled and liquid-cooled gaseous fueled generators from 7 kW through 60 kW. The RTS transfer switch will operate only with the Generac R-Series controller. The open transition switches are available in voltage configurations for 120/240 1 ϕ , 120/208 3 ϕ and 120/240 3 ϕ at 100, 200 and 400 amp ratings and 277/480 3 ϕ at the 100 and 200 amp rating. The standard switches are UL and CUL Listed and service entrance rated switches are UL Listed only, all suitable for use with optional standby systems (NEC 702).

STANDARD FEATURES

All RTS transfer switches are housed in a NEMA 3R enclosure, with electrostatically applied and baked powder paint. The Heavy Duty Generac Contactor is a UL recognized device, designed for years of service. The control connection between the RTS and the Generator Control panel is (4) # 14 wires. The R-Series control in the generator handles all the timing, sensing and exercising functions.

SERVICE ENTRANCE RATED SWITCH

The Generac Service Entrance Rated Transfer Switches are available in 100, 200 and 400 amp ratings in 120/240 volt single phase only. The switches are UL 1008 listed with 100, 200 or 400 amp UL rated Circuit Breakers on both the Utility and Generator side of the transfer switch contactor for full source protection. The enclosure is rated for outdoor installation and is fully protected from the elements.

CONTACTOR RATING

100 and 200 amp single phase transfer switch contactors are rated at 250 VAC. All other contactors are rated at 600 VAC.



FUNCTIONS

RTS 100-400 Amp Transfer Switch

All Timing and sensing functions originate in the R-Series controller

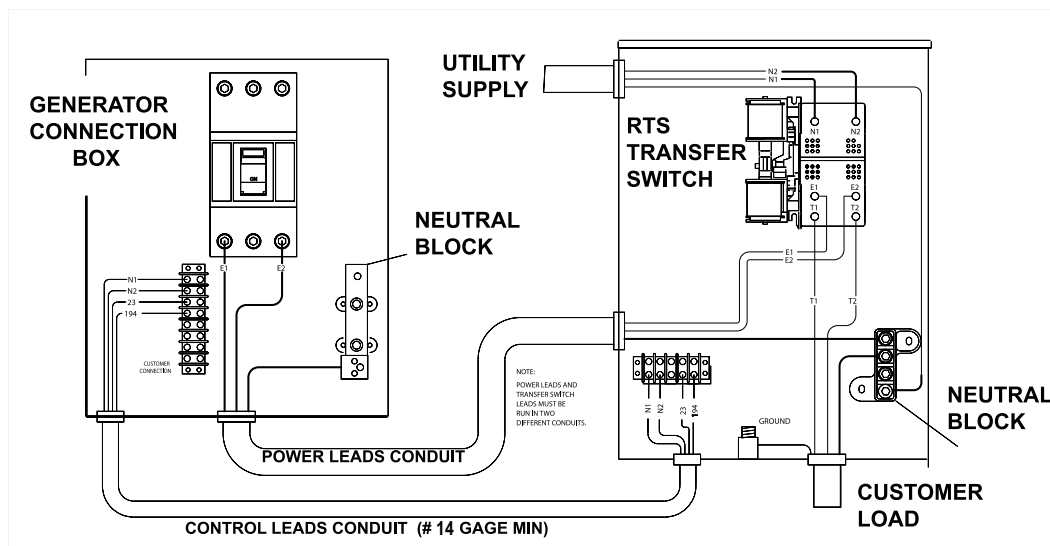
Utility voltage drop-out.....	<60%
Timer to generator start	15 seconds
Engine warm up delay.....	10 seconds
Standby voltage sensor.....	90%
Utility voltage pickup.....	>80%
Re-transfer time delay	15 seconds
Engine cool-down timer.....	60 seconds
Exerciser	15 minutes every 7 days

The transfer switch can be operated manually without power applied.

SPECIFICATIONS

Amps	100	100	200	200	400	400
Voltage	120/240, 1Ø	120/240, 1Ø 120/208, 3Ø 120/240, 3Ø 277/480, 3Ø	120/240, 1Ø	120/240, 1Ø 120/208, 3Ø 120/240, 3Ø 277/480, 3Ø	120/240, 1Ø	120/240, 1Ø 120/208, 3Ø 120/240, 3Ø
Load Transition Type (Automatic)	Open Transition Ser. Ent. Rated	Open Transition	Open Transition Ser. Ent. Rated	Open Transition	Open Transition Ser. Ent. Rated	Open Transition
Enclosure Type	NEMA 3R	NEMA 3R	NEMA 3R	NEMA 3R	NEMA 3R	NEMA 3R
Enclosure Material	Steel	Steel	Aluminum	Steel	Aluminum	Aluminum
Withstand Rating (Amps)	10,000	10,000	10,000	10,000	18,000	18,000
Lug Range	1/0 - #14	2/0 - #6	300 MCM - #6	400 MCM - #4	600 MCM - #4 or (2) 250 MCM - 1/0	
External Dimensions and Weight H" x W" x D" (lbs.)						
120/240, 1Ø	24 x 13.05 x 7 (52)	20 x 15 x 7 (35)	23.5 x 20 x 7.3 (58)	20 x 15 x 7 (35)	40 x 30 x 10 (134)	36 x 24 x 10 (95)
120/208, 3Ø		24 x 20 x 7.25 (49)		24 x 20 x 7.25 (49)		36 x 24 x 10 (107)
120/240, 3Ø		36 x 24 x 10 (95)		24 x 20 x 7.25 (49)		36 x 24 x 10 (107)
277/480, 3Ø		36 x 24 x 10 (95)		48 x 30 x 12 (105)		

TYPICAL CONNECTION



GENERAC® POWER SYSTEMS, INC. • P.O. BOX 297 • WHITEWATER, WI 53190

Website: www.guardiangenerators.com